

Ensa offers *tailored solutions* to nuclear power plants and other nuclear facilities from the beginning of the operation to final decommissioning, such as equipment supply, maintenance, repair activities or waste treatment.

Over the years **Ensa** has delivered different heavy components (reactor pressure vessels, steam generators, pressurizers, core structures) as well as **Tanks and Heat Exchangers** in collaboration with the main international reactor vendors for **nuclear power plants** all over the world.



EQUIPOS NUCLEARES

Head Office

José Ortega y Gasset 20 - 5º
28006 Madrid (SPAIN)
Phone: +34 91 555 36 17
Fax: +34 91 556 31 49

Facility

Juan Carlos I, 8
39600 Maliaño - Cantabria (SPAIN)
Phone: +34 942 20 01 42
Fax: +34 942 20 01 48
commercial@ensa.es

www.ensa.es



Tanks & Heat Exchangers



Design and calculations

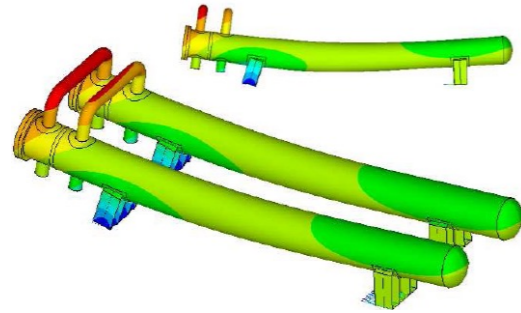
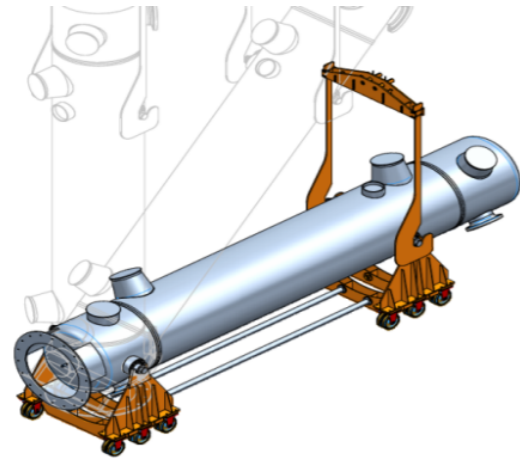
Our proven engineering team offers problem solving and analysis and **design** capabilities to accomplish individual requirements of our customers for Tanks & Heat Exchangers, complying with the most restrictive standards and regulations applied in the nuclear market

Our capabilities:

- Risk Analysis
- Interface Civil Works
- Structural Analysis (Including Fatigue)
- Thermal-hydraulic Analysis
- Seismic Analysis
- RAMI Analysis
- Hazard and Environmental Analysis
- Human Factors Integration Analysis
- Inspection and Maintenance Plans

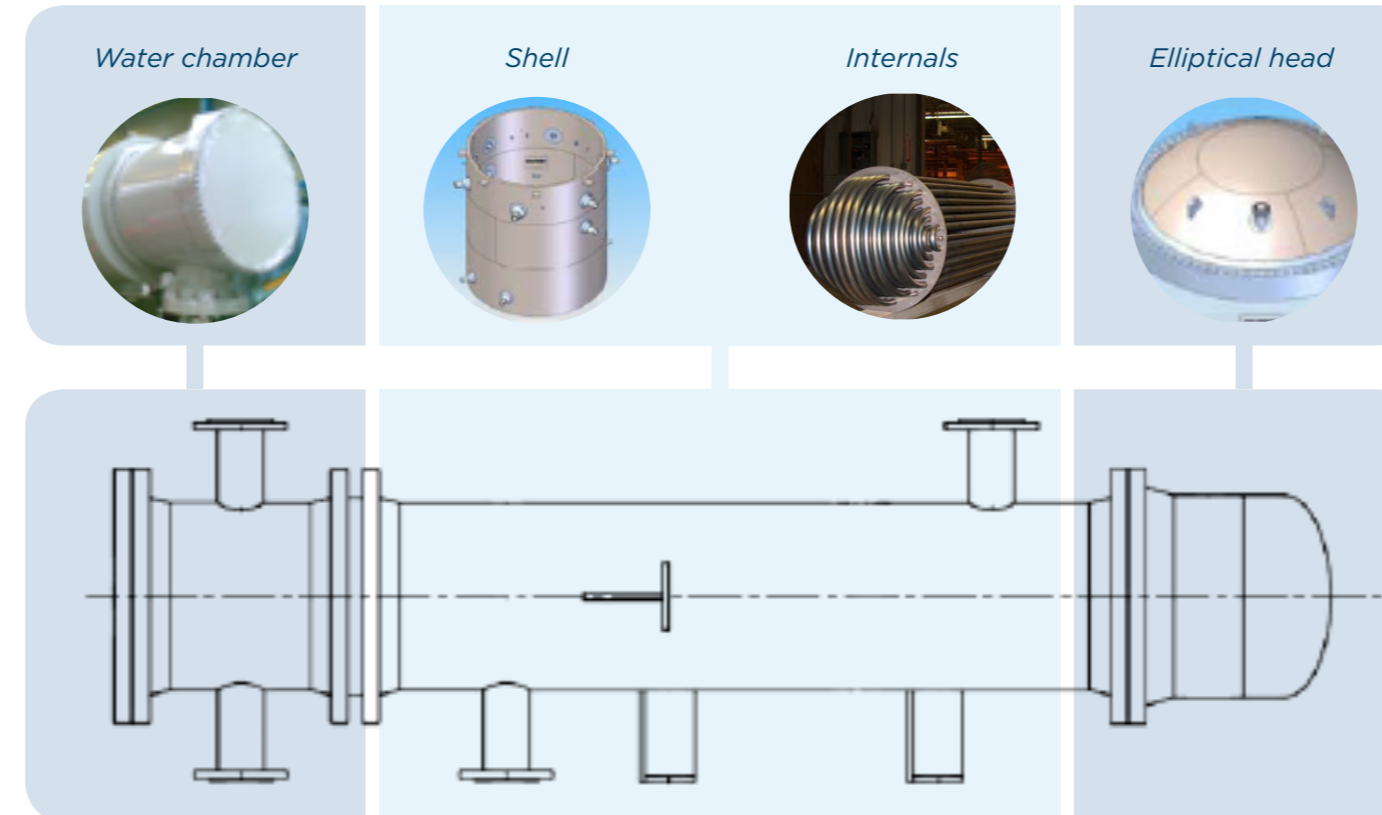
Design codes, standards and regulations:

- ASME
- RCC -M / MX / MR
- KTA
- TEMA
- Pressure Equipment Directive
- ESPN - Equipments Under Pressure - Nuclear



Manufacturing and inspection

Experienced staff is involved in every step and ensure the feasibility for manufacturing and NDT inspections to obtain **high quality components**. Additionally, dedicated welding engineers are in charge of welding activities and documentation with **permanent improvements** and implementation of latest techniques.



Installation

Ensa treasures wide expertise installing state of the art tanks and heat exchangers.

Our work includes all processes from design to final installation.

Tooling design

On site procedures (installation engineering)

On site activities

- Installation
- Erection
- Commissioning Supervision

